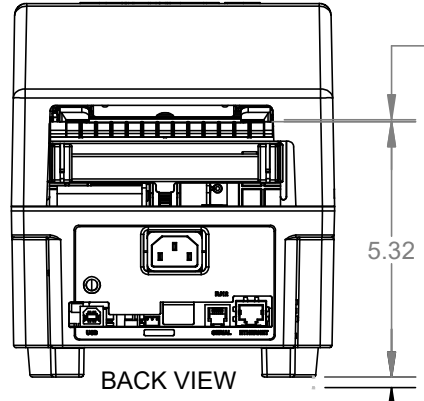


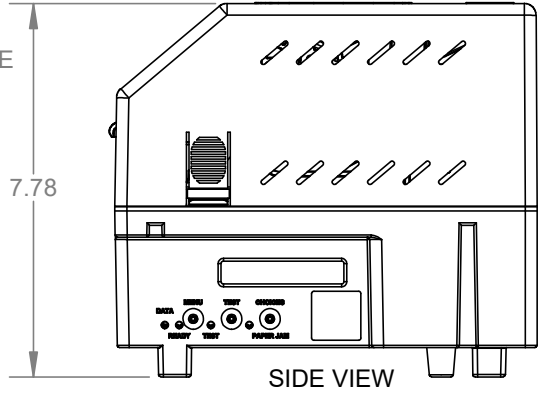
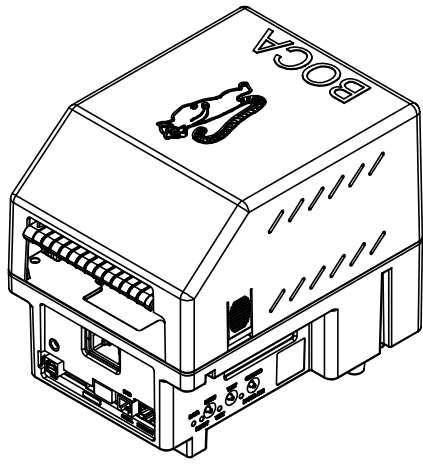
REVISIONS			
LTR	DESCRIPTION	BY	DATE
D	REVISED NOTES	OM	8/17/2021
E	THE DWG FOR ASSEMBLY UNIT 2022 HAS BEEN UPDATED	OM	2/7/2024



TICKET ENTRANCE

5.32

FOR LEMUR MODEL ADD .22 FOR RUBBER FEET



7.78

4X ϕ .141 MOUNTING HOLES

4.45

1.31

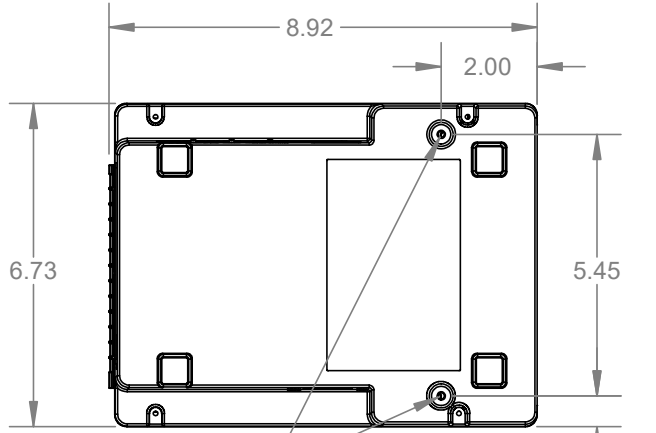
TICKET EXIT

3.00

5.19

1.22

FRONT VIEW



8.92

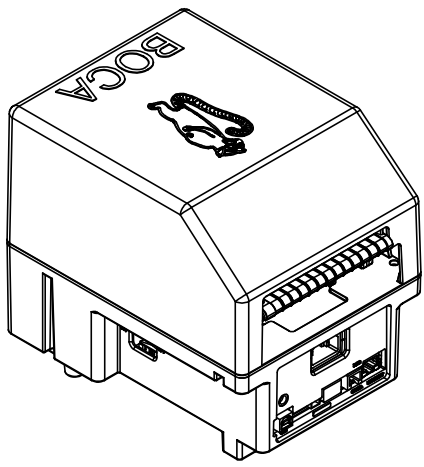
2.00

6.73

5.45

2X ϕ .129 MOUNTING HOLES

.64



REMOVE ALL BURRS & SHARP EDGES			UNLESS SPECIFIED DIMS ARE IN INCHES	
APPLICATION			FRACTION	DECIMAL ANGLE
ASSEMBLY	MODEL	QTY.	\pm	\pm
LEMUR	K-UPG/2022	0	DWN. BY	APPR. BY
			DATE CREATED	
			11/27/2023	

BOCA Systems, Inc.

LEMUR/LEMUR-K
REFERENCE DRAWING

SCALE: 1:4	SIZE A	DRAWING NO. 424150	WT. 3.94
SHEET 1 OF 1			REV. E

2/7/2024