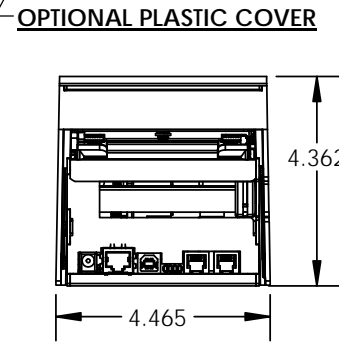
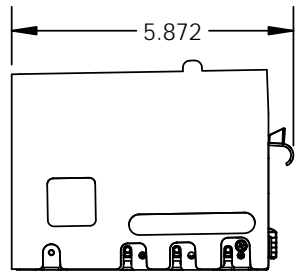
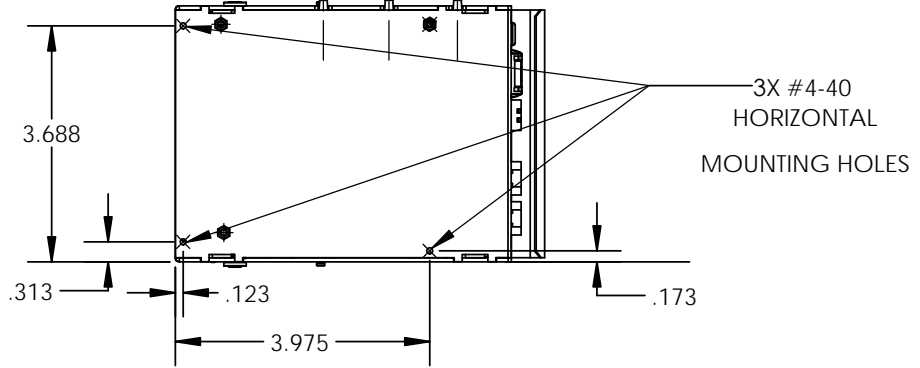
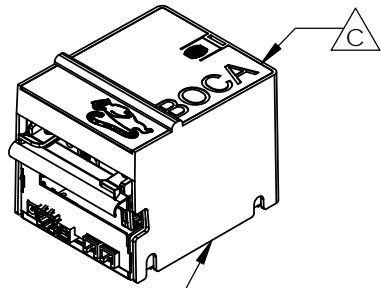
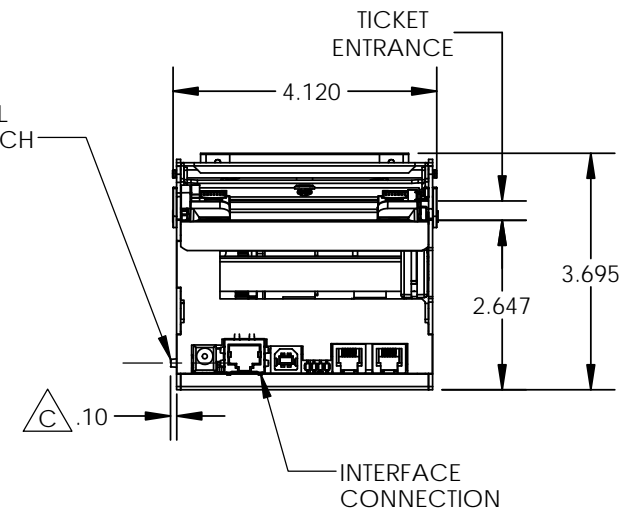
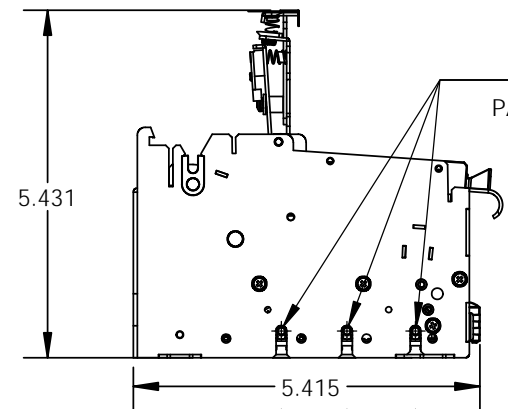
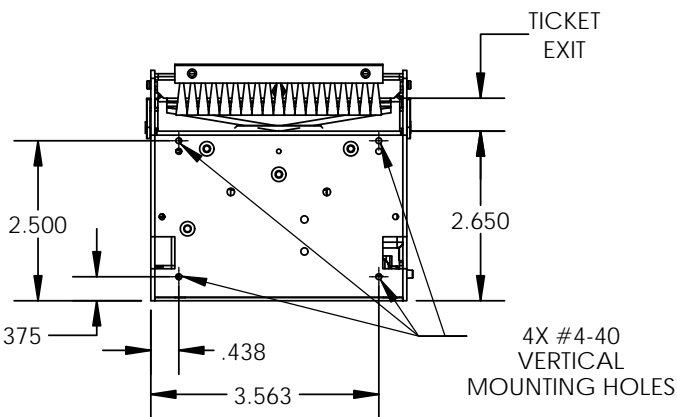
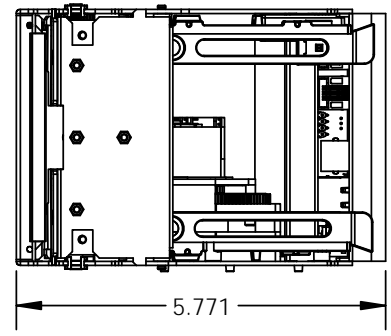
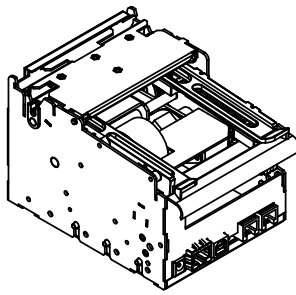


REVISIONS			
LTR	DESCRIPTION	BY	DATE
A	RELEASED	OM	1/20/2021
B	REVISED/RELEASED	OM	4/21/2021
C	ADDED DIM/ADDED VIEWS	OM	6/10/2021



RELEASED

REMOVE ALL BURRS & SHARP EDGES			UNLESS SPECIFIED DIMS ARE IN INCHES	
APPLICATION			FRACTION	DECIMAL ANGLE
ASSEMBLY	MODEL	QTY.	± .XX±	±
LEMUR-X	LEMUR-X/UPG	0	DWN. BY	APPR. BY
			DATE CREATED	
			6/10/2020	

BOCA Systems, Inc.

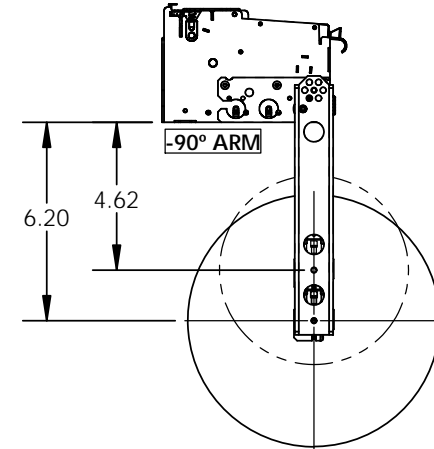
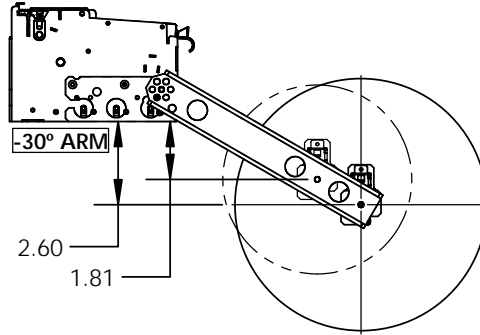
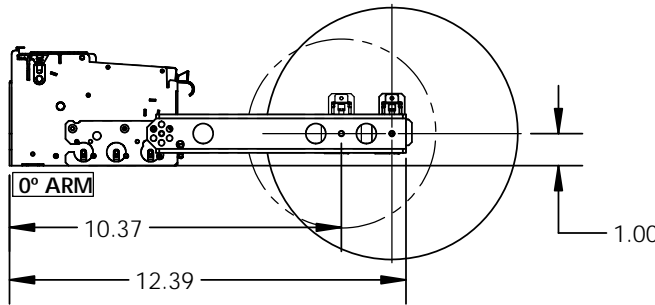
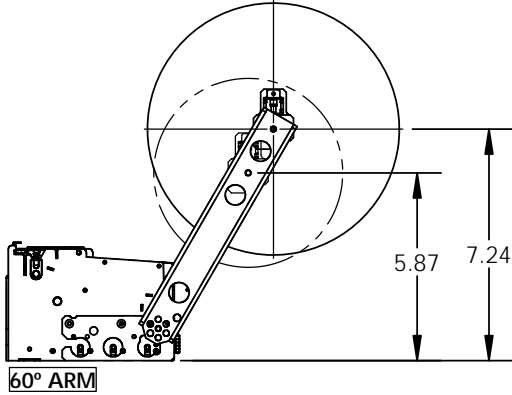
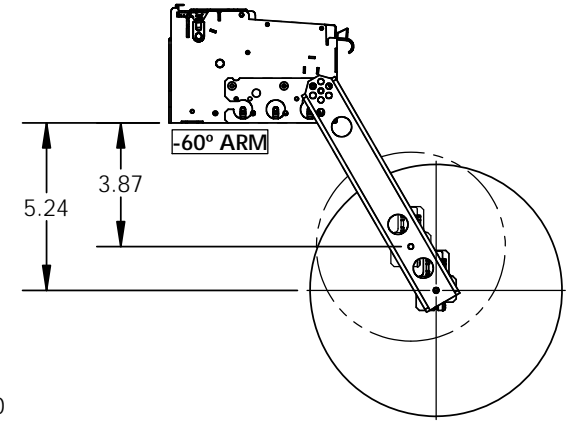
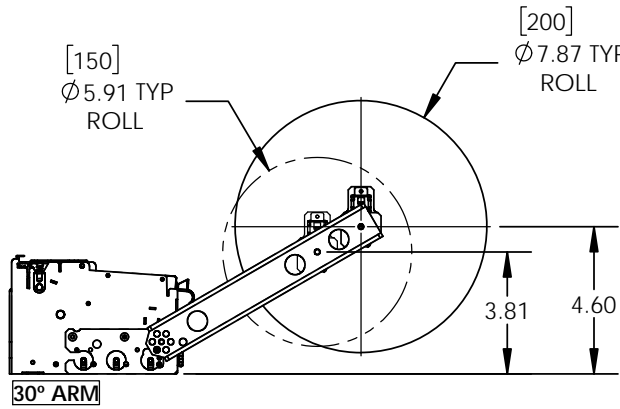
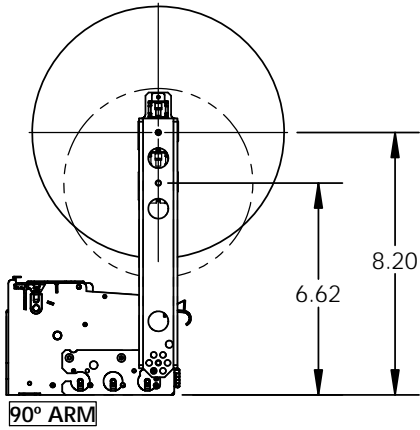
LEMUR-X-UPG
REFERENCE

SCALE: 1:8 SIZE A DRAWING NO. 424127-RF-U

WT. 1.50 REV. C

SHEET 1 OF 2

6/10/2021



RELEASED

WITH 424051-U ROLL HOLDER

REMOVE ALL BURRS & SHARP EDGES			UNLESS SPECIFIED DIMS ARE IN INCHES	
APPLICATION			FRACTION	DECIMAL ANGLE
ASSEMBLY	MODEL	QTY.	± .XX±	±
LEMUR-X	LEMUR-X/UPG	0	± .XXX±	±
			DWN. BY	APPR. BY
			DATE CREATED	
			6/10/2020	

BOCA Systems, Inc.

LEMUR-X-UPG
REFERENCE

WT.
1.50

SCALE: 1:8	SIZE A	DRAWING NO. 424127-RF-U	REV. C
SHEET 2 OF 2			