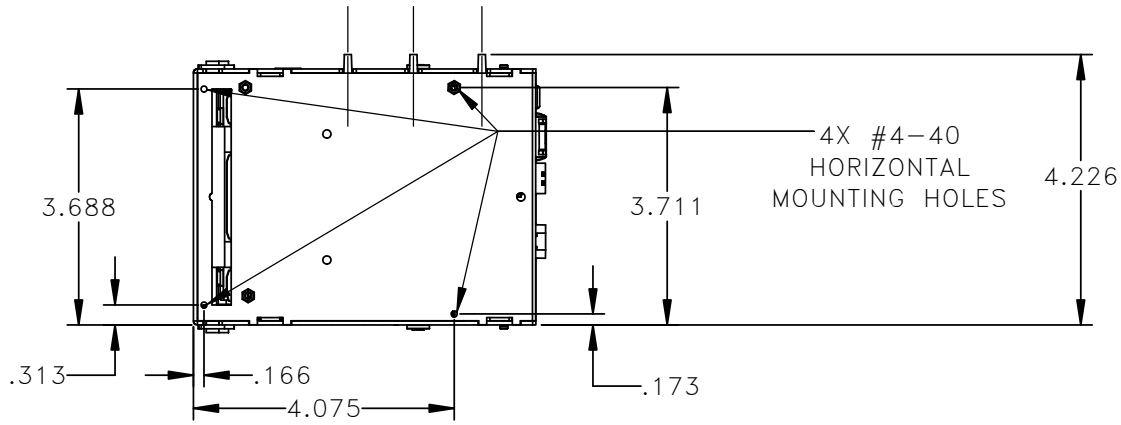
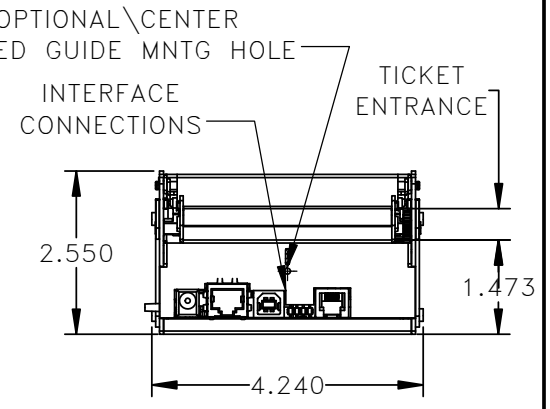
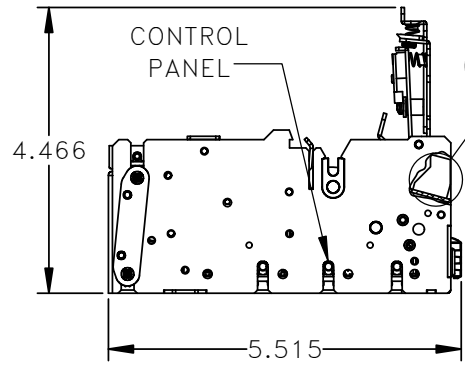
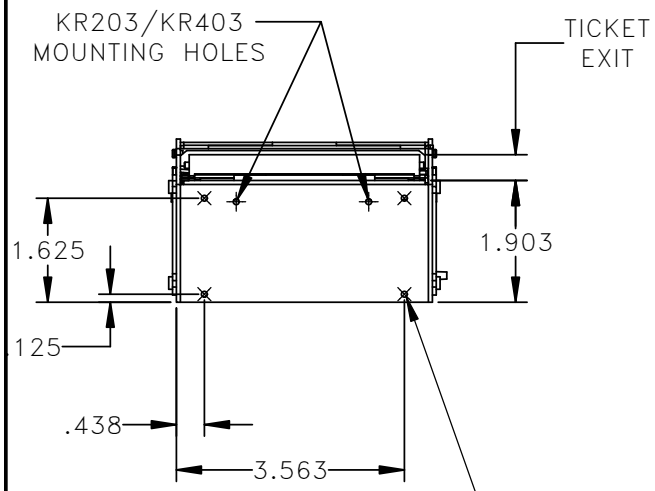
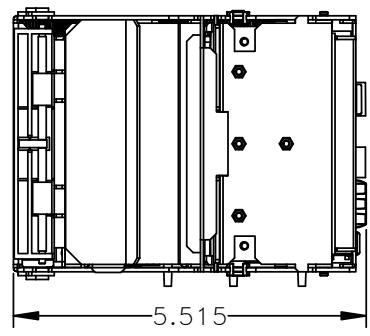
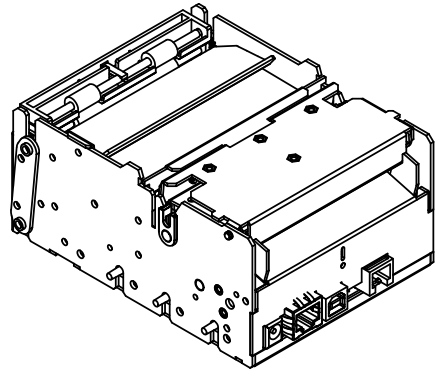


REVISIONS			
LTR	DESCRIPTION	BY	DATE
C	1.625 WAS 1.725, ADDED LENGTH WITH P/G DIM, ADDED SHEET 2	A.C.	09-28-16
D	REVISED & REDESIGNED	OM	11/02/2020
E	REVISED/RELEASED	OM	4/21/2021



NOTE:
RECOMMEND USE ONLY
#4-40 SELF-TAPPING
SCREWS FOR MOUNTING

REMOVE ALL BURRS AND SHARP EDGES

REMOVE ALL BURRS & SHARP EDGES			UNLESS SPECIFIED DIMS ARE IN INCHES	
APPLICATION			FRACTION	DECIMAL ANGLE
ASSEMBLY	MODEL	QTY.	± .XX±	±
	LEMUR-Z	1	± .XXX±	
			DWN. BY	APPR. BY
			DATE CREATED	
			11/2/2020	

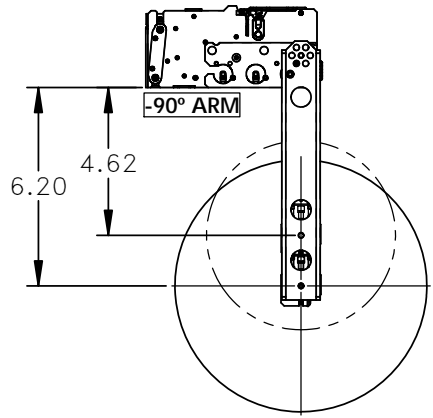
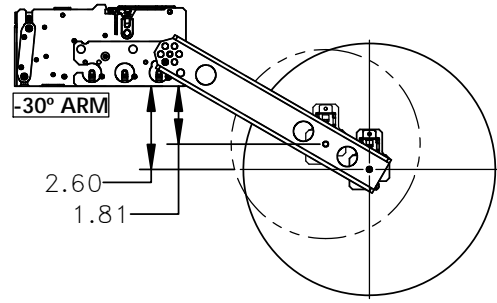
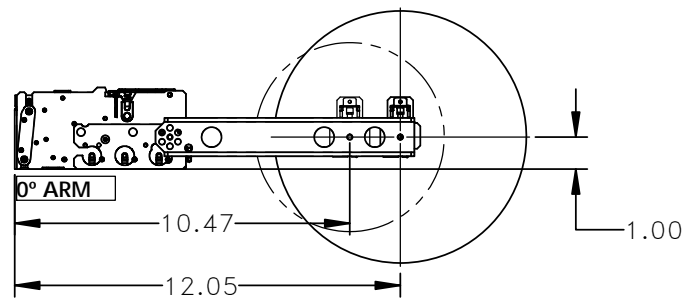
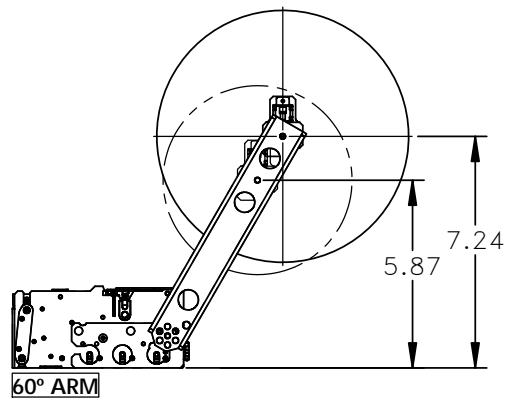
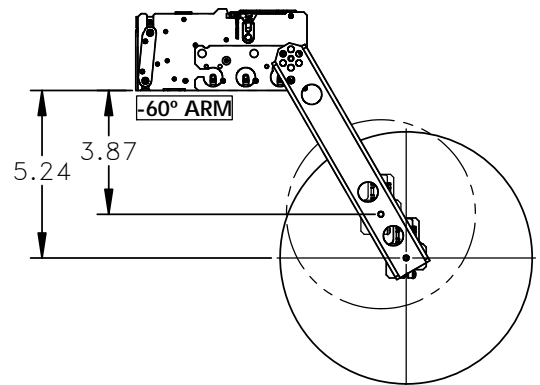
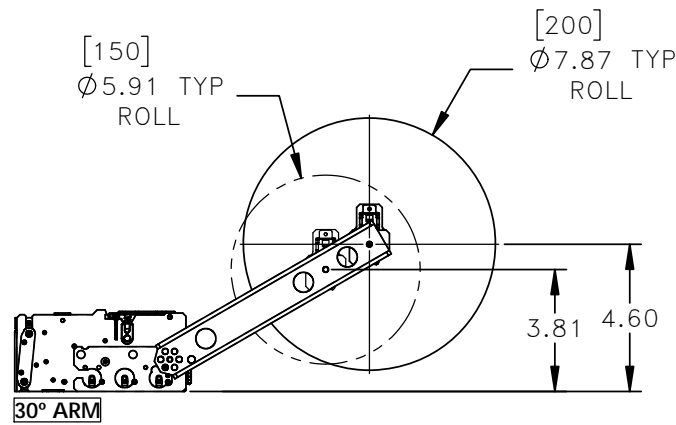
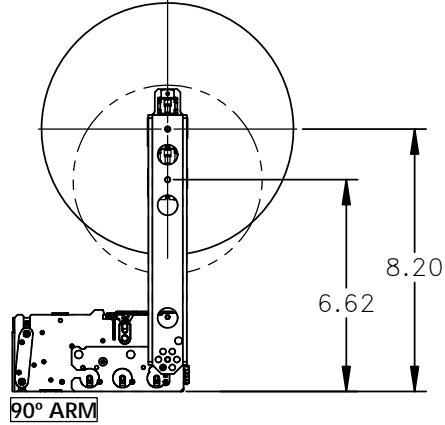
BOCA Systems, Inc.

LEMUR-Z REFERENCE

SCALE: 1:2	SIZE: A	DRAWING NO. 424056	WT. 1.64
SHEET 1 OF 2			REV. E

RELEASED

4/21/2021



RELEASED

WITH 424051-U ROLL HOLDER

REMOVE ALL BURRS AND SHARP EDGES

REMOVE ALL BURRS & SHARP EDGES			UNLESS SPECIFIED DIMS ARE IN INCHES	
APPLICATION			FRACTION	DECIMAL ANGLE
ASSEMBLY	MODEL	QTY.	± .XX±	±
	LEMUR-Z	1	± .XXX±	±
			DWN. BY	APPR. BY
			DATE CREATED	
			11/2/2020	

BOCA Systems, Inc.

LEMUR-Z REFERENCE

SCALE: 1:2	SIZE A	DRAWING NO. 424056	WT. 1.64
SHEET 2 OF 2			REV. E

4/21/2021