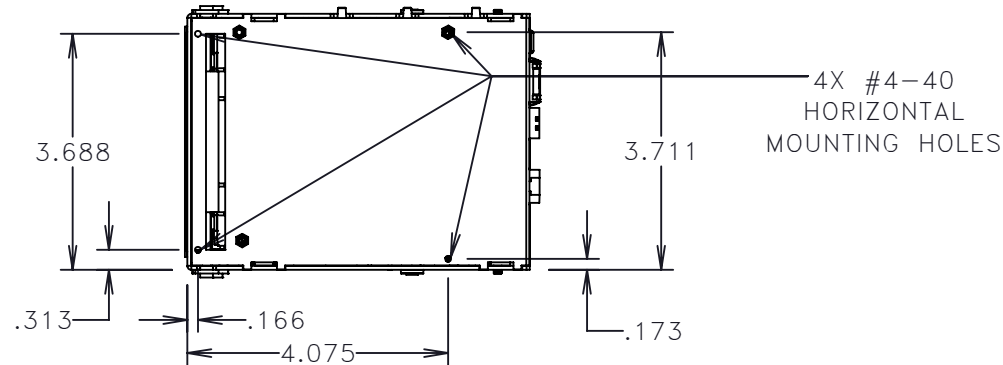
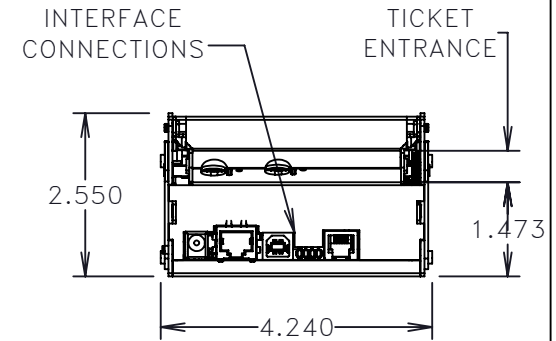
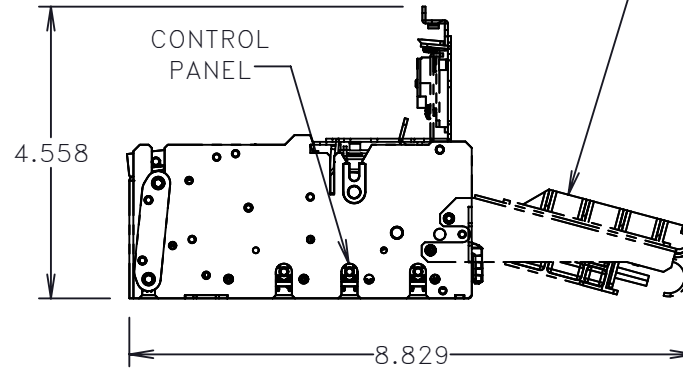
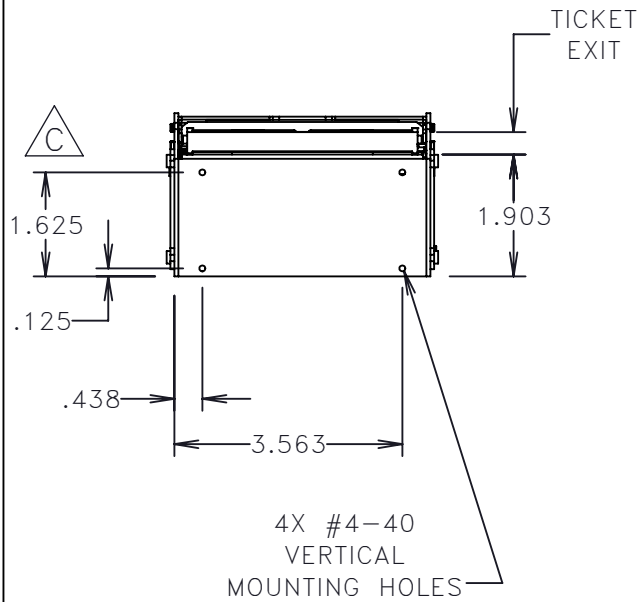
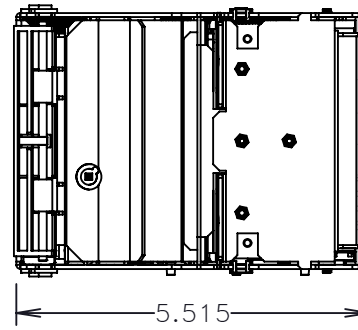
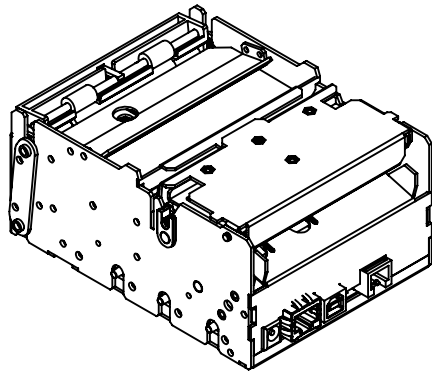


REVISIONS

LTR	DESCRIPTION	BY	DATE
A	RELEASE	A.C.	04-15-16
B	ADDED VERTICAL MNTG HOLES, 1.903 WAS 1.923, 2.550 WAS 2.525	A.C.	08-18-16
C	1.625 WAS 1.725, ADDED LENGTH WITH P/G DIM, ADDED SHEET 2	A.C.	09-28-16



NOTE:
RECOMMEND USE ONLY
#4-40 SELF-TAPPING
SCREWS FOR MOUNTING

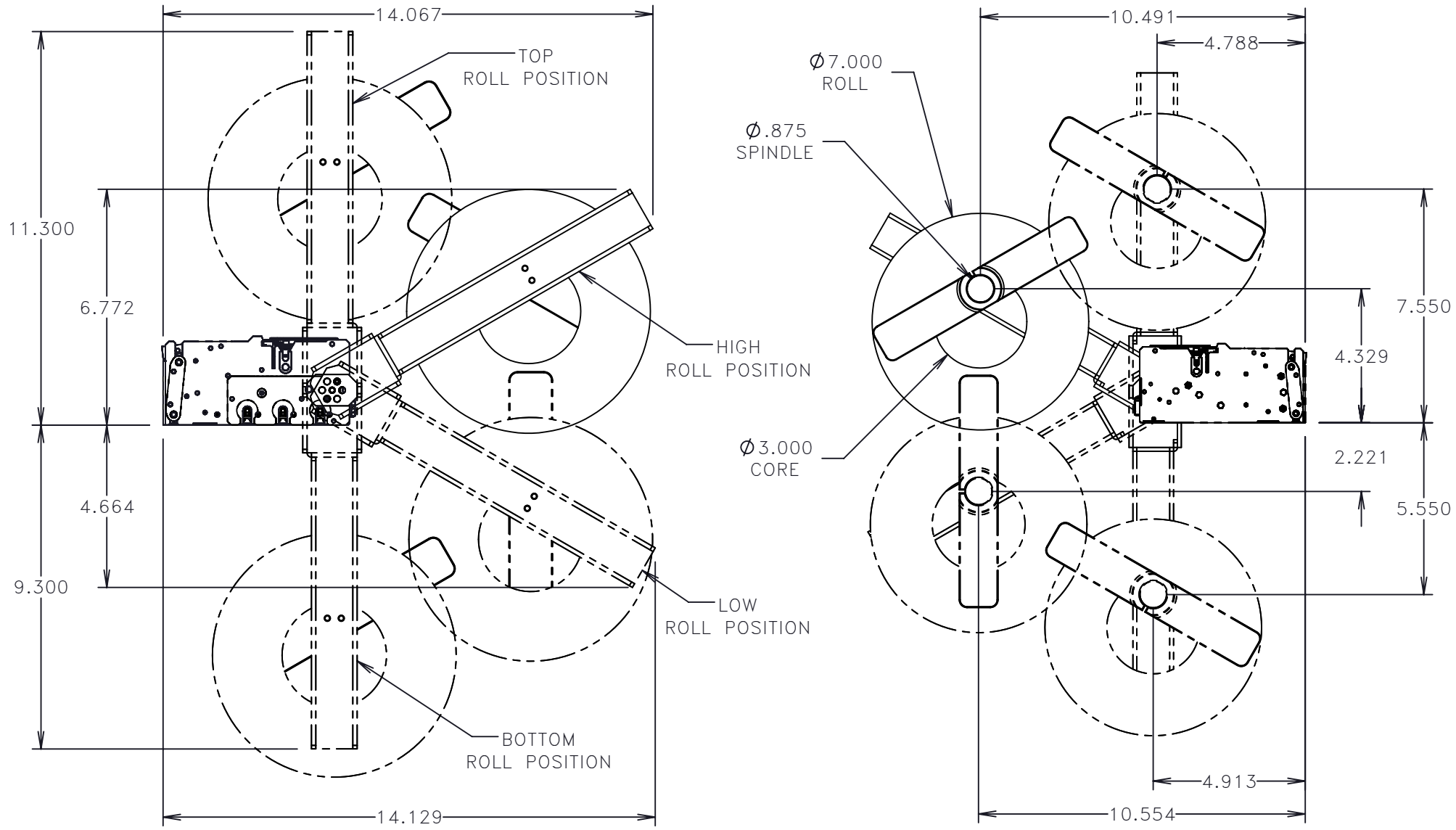
REMOVE ALL BURRS AND SHARP EDGES

MATERIAL:	UNLESS SPECIFIED DIMENSIONS ARE IN INCHES	CUST. APP.	ENGR. MOD
FINISH:	FRACTION DECIMAL ANGLE ± - .XX±.010 ±1/2° . XXX±.005	DWN BY A.C.	ENGR. APP.
APPLICATION		PAGE	OF SCALE:
ASSEMBLY	MODEL	1 / 2	NONE
	LEMUR-Z	DATE	4/15/2016
	QTY		1

BOCA Systems, Inc.

LEMUR-Z REFERENCE

CODE IDENT. No.	SIZE	DRAWING NO.	REV.
	A	424056	C



WITH ROLL HOLDER

REMOVE ALL BURRS AND SHARP EDGES

MATERIAL:	UNLESS SPECIFIED DIMENSIONS ARE IN INCHES		CUST. APP.	ENGR. MOD
FINISH:	FRACTION	DECIMAL	ANGLE	DWN BY
	± -	.XX±.010	±1/2°	A.C.
APPLICATION			PAGE	OF SCALE:
ASSEMBLY	MODEL	QTY	2 / 2	NONE
	LEMUR-Z	1	DATE	
			4/15/2016	

BOCA Systems, Inc.

LEMUR-Z REFERENCE

CODE IDENT. No.	SIZE	DRAWING NO.	REV.
	A	424056	C