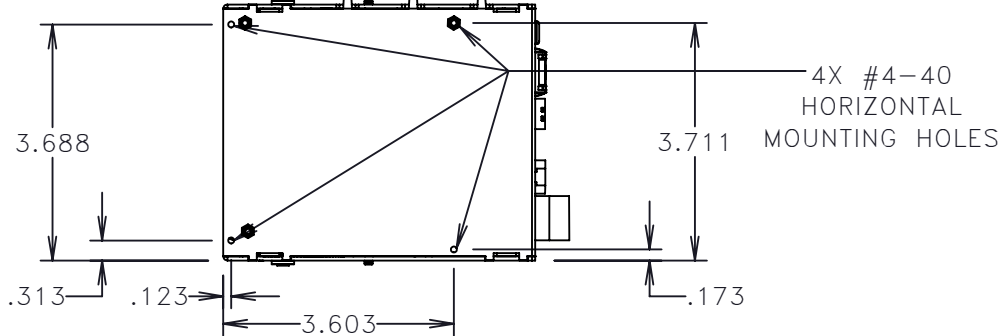
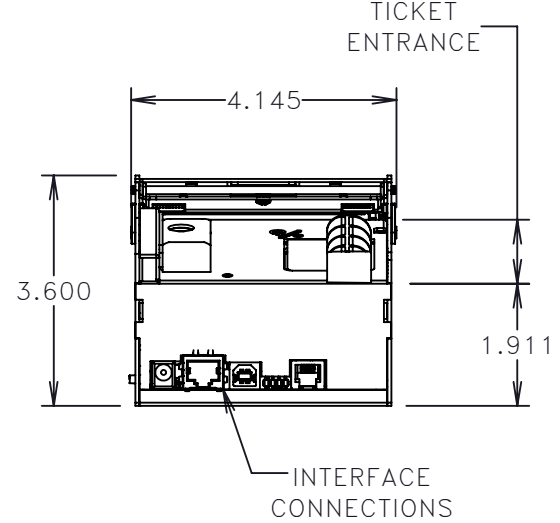
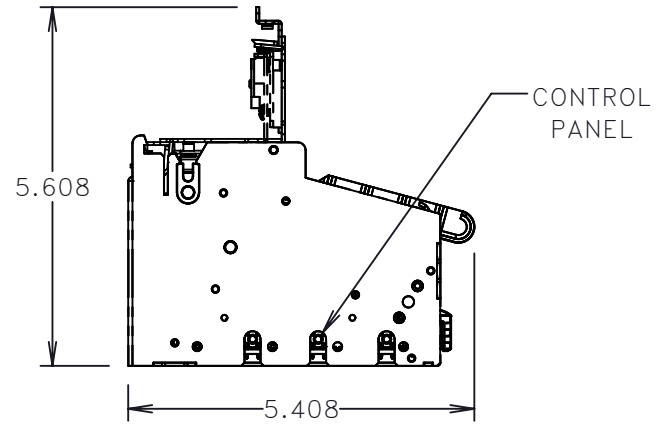
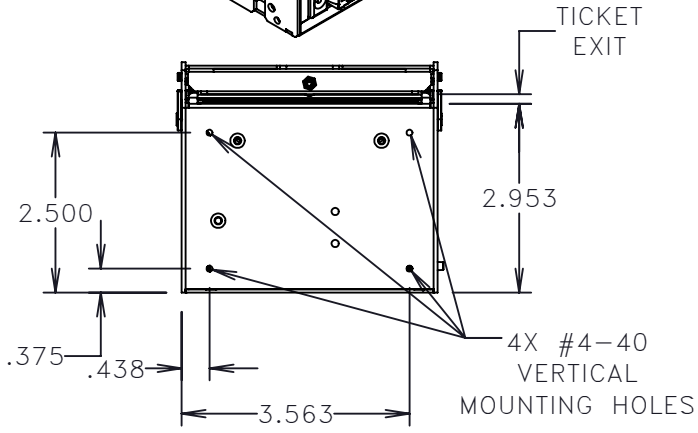
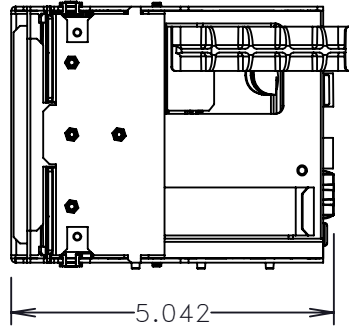
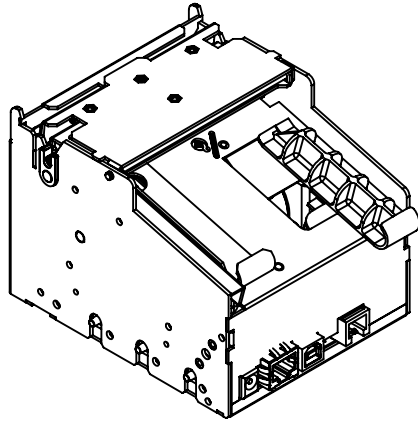


REVISIONS			
LTR	DESCRIPTION	BY	DATE
A	RELEASE	A.C.	11-14-16



NOTE:  
RECOMMEND USE ONLY  
#4-40 SELF-TAPPING  
SCREWS FOR MOUNTING

REMOVE ALL BURRS AND SHARP EDGES

MATERIAL:	UNLESS SPECIFIED DIMENSIONS ARE IN INCHES		CUST. APP.	ENGR. MOD
FINISH:	FRACTION	DECIMAL	ANGLE	DWN BY
	±	.XX±.010	±1/2°	A.C.
APPLICATION			PAGE	OF SCALE:
ASSEMBLY	MODEL	QTY	1 / 1	NONE
	LEMUR-X	1	DATE	
			11/14/2016	

*BOCA Systems, Inc.*

**LEMUR-X REFERENCE**

CODE IDENT. No.	SIZE	DRAWING NO.	REV.
	A	424079	A