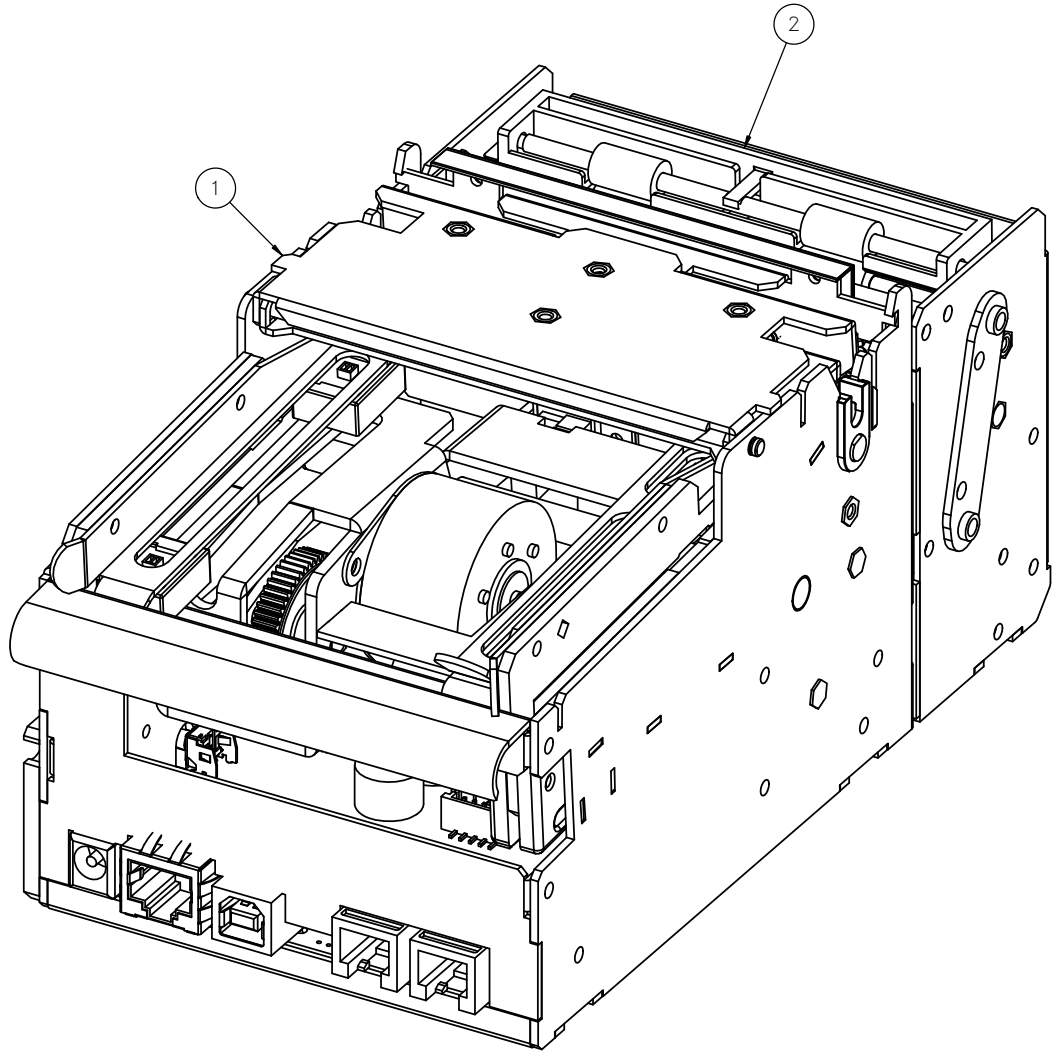


ITEM NO.	PART NUMBER	DESCRIPTION	WEIGHT	QTY
1	424127-PSTR (REV a)	Short Upg - Lemur-X/Presenter Version	1.66	1
2	424144-ST (REV g)	Presenter Assy Lemur-X	0.45	1



PRELIMINARY

REMOVE ALL BURRS & SHARP EDGES			UNLESS SPECIFIED DIMS ARE IN INCHES	
APPLICATION			FRACTION	DECIMAL ANGLE
ASSEMBLY	MODEL	QTY.	± .XX± ±	± .XXX± ±
			DWN. BY	APPR. BY
	LEM,UR-X		DATE CREATED	8/13/2020

*BOCA Systems, Inc.*

SHORT UPG LEMUR X PRESENTER ASSEMBLY

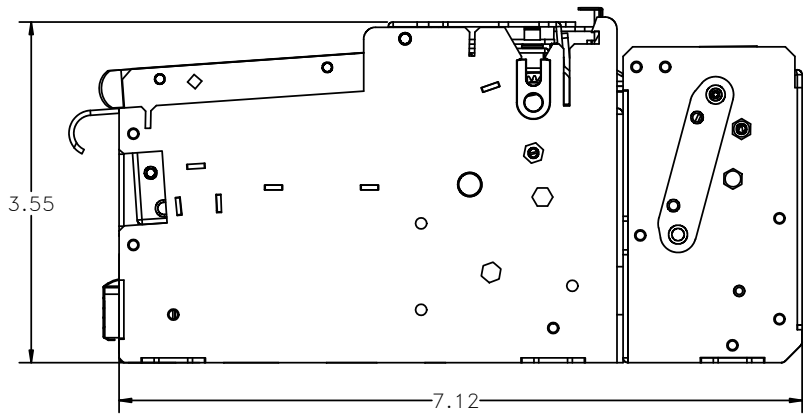
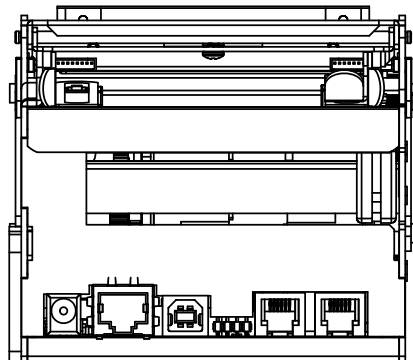
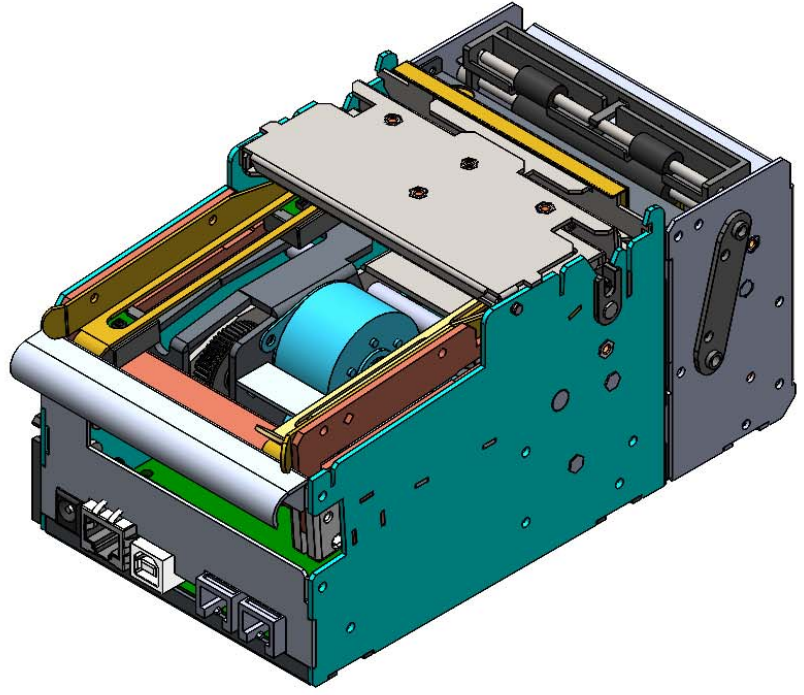
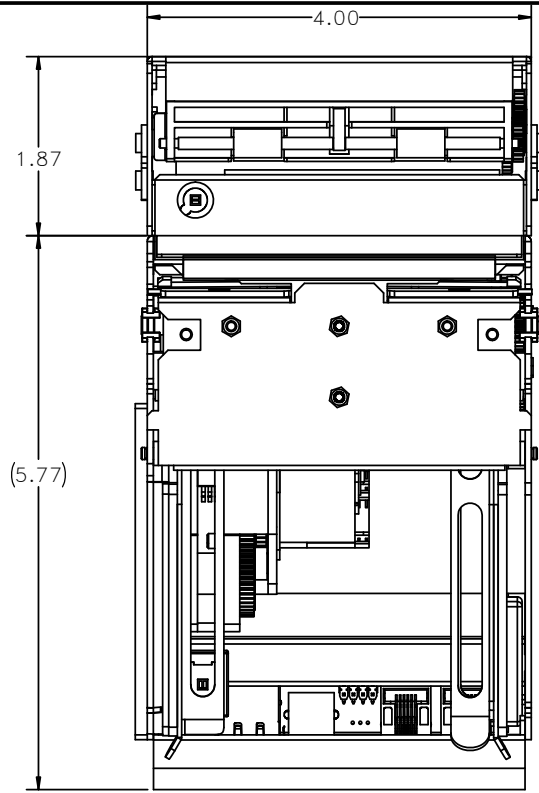
WT. 2.11

SCALE: 1:2	SIZE C	DRAWING NO. 424127-PSTR-ASSY
SHEET 1 OF 4		

REV. C

REMOVE ALL BURRS AND SHARP EDGES

8/10/2020



PRELIMINARY

REMOVE ALL BURRS & SHARP EDGES			UNLESS SPECIFIED DIMS ARE IN INCHES	
APPLICATION			FRACTION	DECIMAL ANGLE
ASSEMBLY	MODEL	QTY.	± .XX± ±	± .XXX± ±
			DWN. BY	APPR. BY
	LEM,UR-X		DATE CREATED	8/13/2020

*BOCA Systems, Inc.*

SHORT UPG LEMUR X PRESENTER ASSEMBLY

WT. 2.11

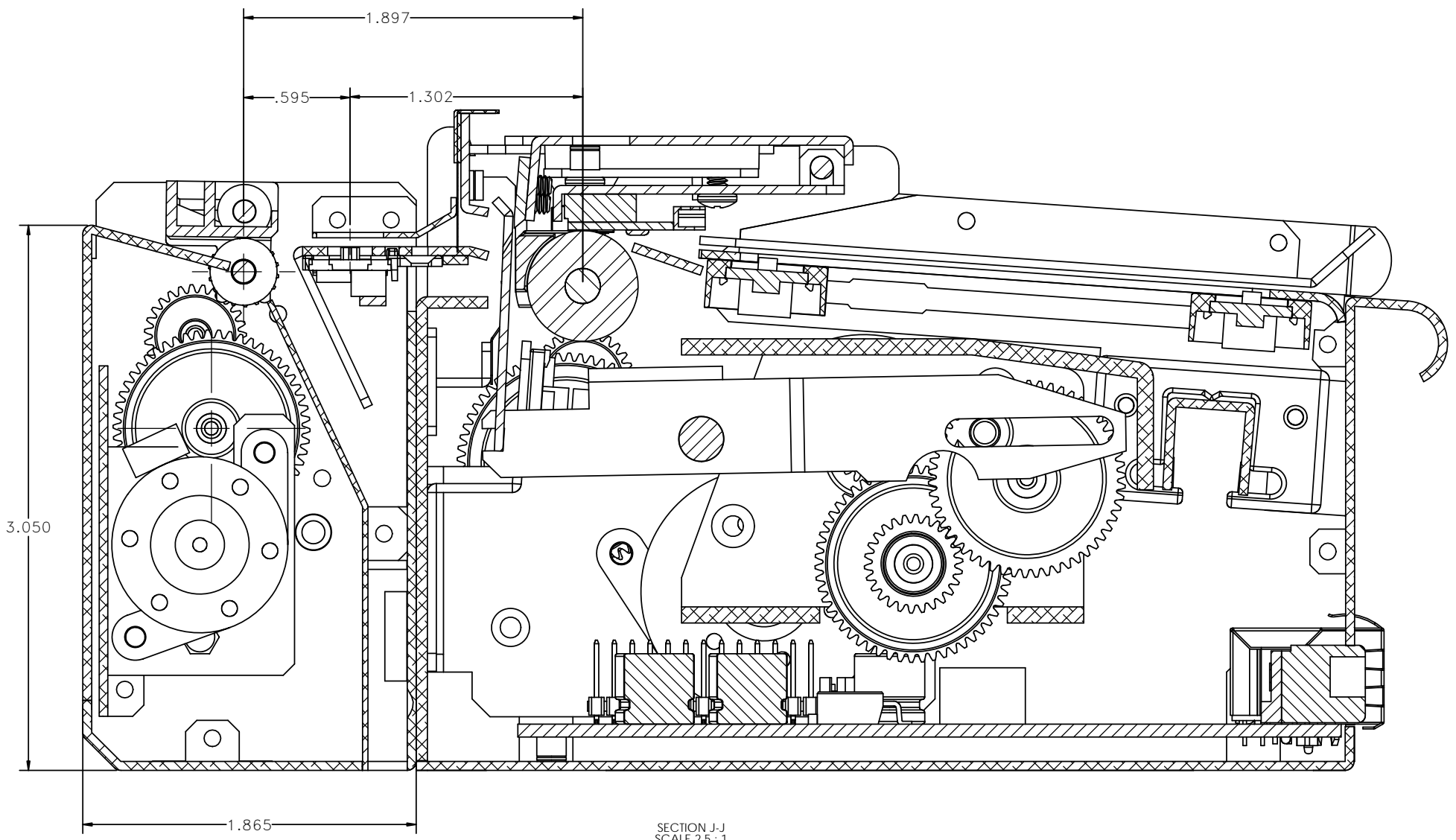
SCALE: 1:2  
SHEET 2 OF 4

SIZE C DRAWING NO. 424127-PSTR-ASSY

REV. C

REMOVE ALL BURRS AND SHARP EDGES

8/10/2020



SECTION J-J  
SCALE 2.5:1

REMOVE ALL BURRS & SHARP EDGES			UNLESS SPECIFIED DIMS ARE IN INCHES	
APPLICATION			FRACTION	DECIMAL ANGLE
ASSEMBLY	MODEL	QTY.	± .XX± ±	± .XXX± ±
			DWN. BY	APPR. BY
	LEM,UR-X		DATE CREATED	8/13/2020

*BOCA Systems, Inc.*

SHORT UPG LEMUR X  
PRESENTER ASSEMBLY

WT.  
2.11

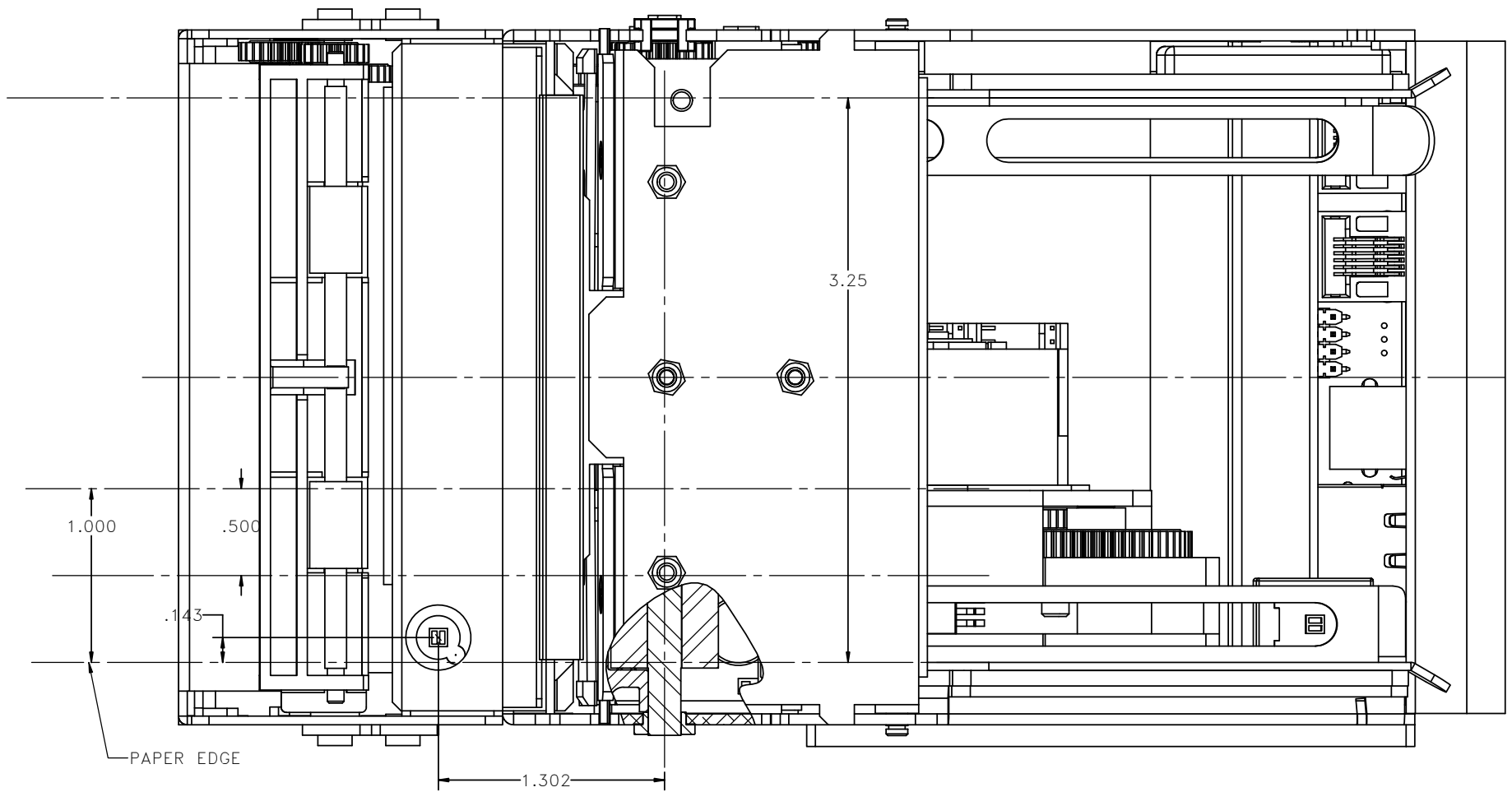
SCALE: 1:2  
SHEET 3 OF 4

SIZE C  
DRAWING NO. 424127-PSTR-ASSY

REV. C

REMOVE ALL BURRS AND SHARP EDGES

8/10/2020



REMOVE ALL BURRS & SHARP EDGES			UNLESS SPECIFIED DIMS ARE IN INCHES	
APPLICATION			FRACTION	DECIMAL ANGLE
ASSEMBLY	MODEL	QTY.	± .XX± ±	
			± .XXX± ±	
			DWN. BY	APPR. BY
	LEM,UR-X		DATE CREATED	
			8/13/2020	

*BOCA Systems, Inc.*

SHORT UPG LEMUR X PRESENTER ASSEMBLY

SCALE: 1:2	SIZE C	DRAWING NO. 424127-PSTR-ASSY	WT. 2.11
SHEET 4 OF 4			REV. C

REMOVE ALL BURRS AND SHARP EDGES

8/10/2020