

# Boca Systems

Solutions for the Ticketing Industry

## Lemur-K Kiosk Printer



### General

**Print Method:** direct thermal

**Print Speed:** 10" per sec. maximum

**Resolution:** 203 dpi (8 dots/mm); 300  
600 dpi (premium upgrade)

**Size:** 7.7 H x 7.3 W x 8.5 L

**Weight:** 6 pounds

### Media Transport

**Media Type:** fanfolded tickets

**Ticket Thickness:** .004" to .011"

**Ticket Width:** 2.0" to 3.25"

premium options: 1" to 2" or 2" to 4"

**Positioning:** optical detector senses  
black mark

**Ticket Separation:** manual tear-off or  
integrated cutter (optional)

### Interfaces

**Standard:** Serial, Parallel and USB

**Optional:** Ethernet, Bluetooth & Wi-Fi

### Protocols

**Standard:** FGL

**Drivers:** Windows, Mac and Linux

### Approvals

UL / FCC / CE / CCC

### Power Requirements

100-240 VAC, 50/60 Hz, 80W max  
24 V DC, 100W max

### RFID (optional)

ISO14443, ISO15693, UHF  
Others available upon request

\* Print speed may be affected at  
extreme temperatures

### Environmental

\* **Operating Temperature:** -20 to 60°C

**Relative Humidity:** 10% to 90%

**Storage Temperature:** -40 to 70°C  
above specs without condensation

### Bar Codes

Most 1D and 2D codes including PDF417,  
DataMatrix, QR, Aztec

Full speed printing of picket fence and  
ladder bar codes

### Fonts

**Resident fonts:** 16 bitmapped fonts  
(including Cyrillic and German characters)  
and Asian character sets (optional)

**Downloadable fonts:** HP Soft fonts /  
TrueType fonts

Downloadable RAM: up to 27MB

Downloadable Flash: up to 28MB (optional)

### Graphics

FGL format, PCX format (1bit b/w), BMP  
format (1bit b/w)

### Web Interface (ethernet only)

Real-time status monitor

Email notification

### Projected Life

**Cutter:** 1 million cuts

**Print Head:** 60 km of paper

or 100 million dot activations.

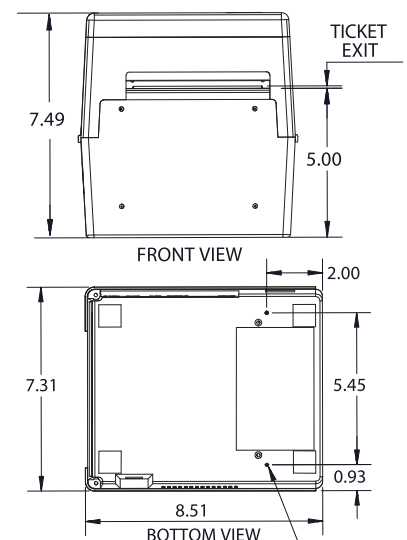
**Bonus:** Free print head replacements  
when exclusively using Boca paper

### Warranty

**Printer:** 1 year, parts and labor

**Print head:** 90 days

**Patents:** BOCA has a patented head  
protection system that prevents premature  
head failure



(2) .130 DIA.  
MOUNTING HOLES

